

Outdoor Process Chiller



Model OPC1.5

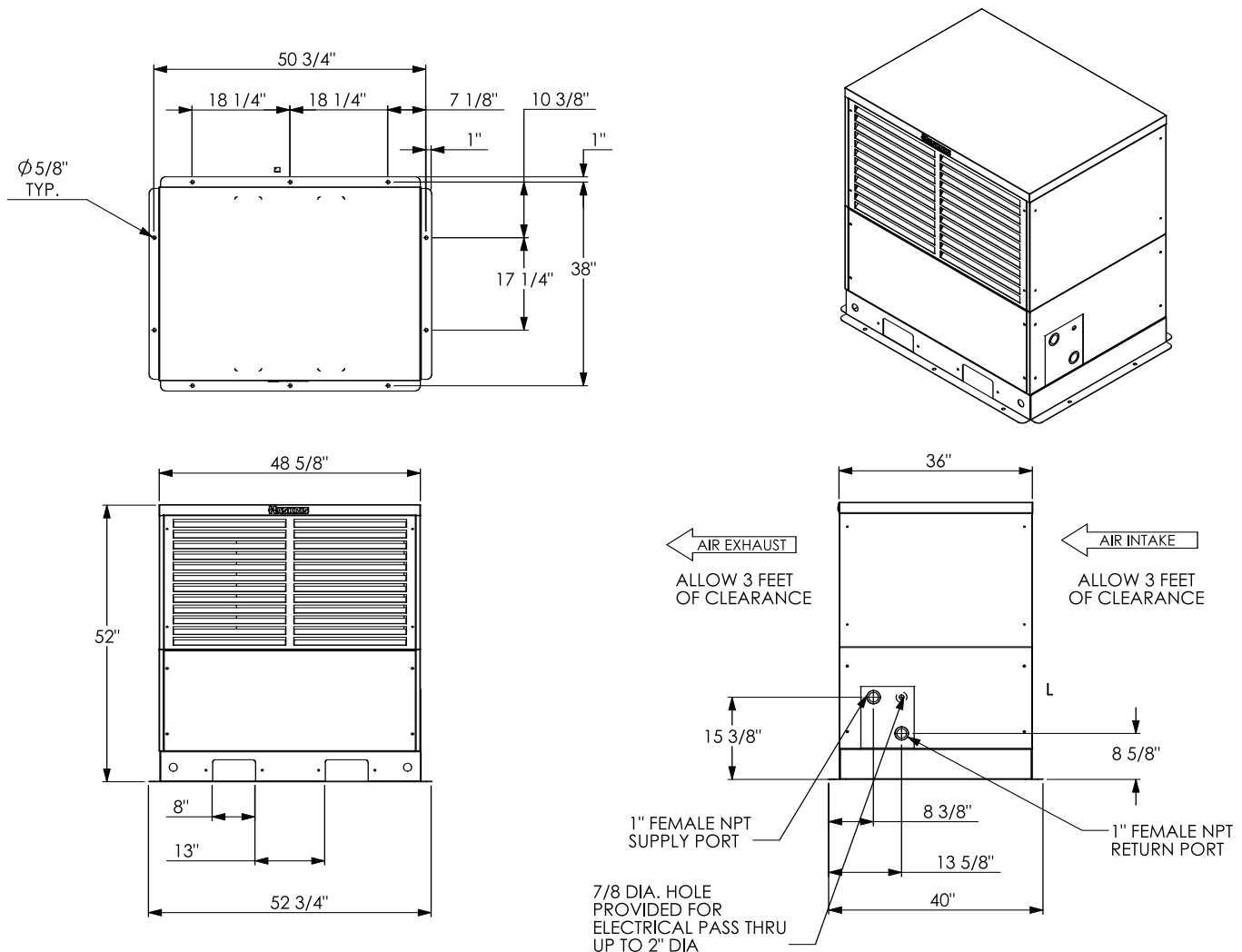


TECHNICAL DATA

Cooling Capacity*	11,817 BTU/HR (3.5 KW) @ 50°F LGT		
Coolant Flow Rate	2.5 GPM (9.5 LPM)		
Pump Motor HP	3/4		
Reservoir Volume	25 Gallons (53 Liters)		
Power Requirements	230V-1Ø-60Hz 31.2 FLA	230V-3Ø-60Hz 19.2 FLA	460V-3Ø-60Hz 11.5 FLA
Operating Conditions (outdoor ambient)	-20°F (-29°C) to 120°F (49°C), -40°F (-40°C) available upon request		
Dimensions (W x D x H)	49 x 36 x 51 in. 125 x 231 x 130 cm.		
Shipping Weight	1040 Lbs. (472 Kg)		

*Cooling capacity based on 40% propylene glycol solution and 95°F ambient air temperature.

DIMENSIONAL DATA



OPC1.5-0111