

# Outdoor Process Chiller



## Model OPC15

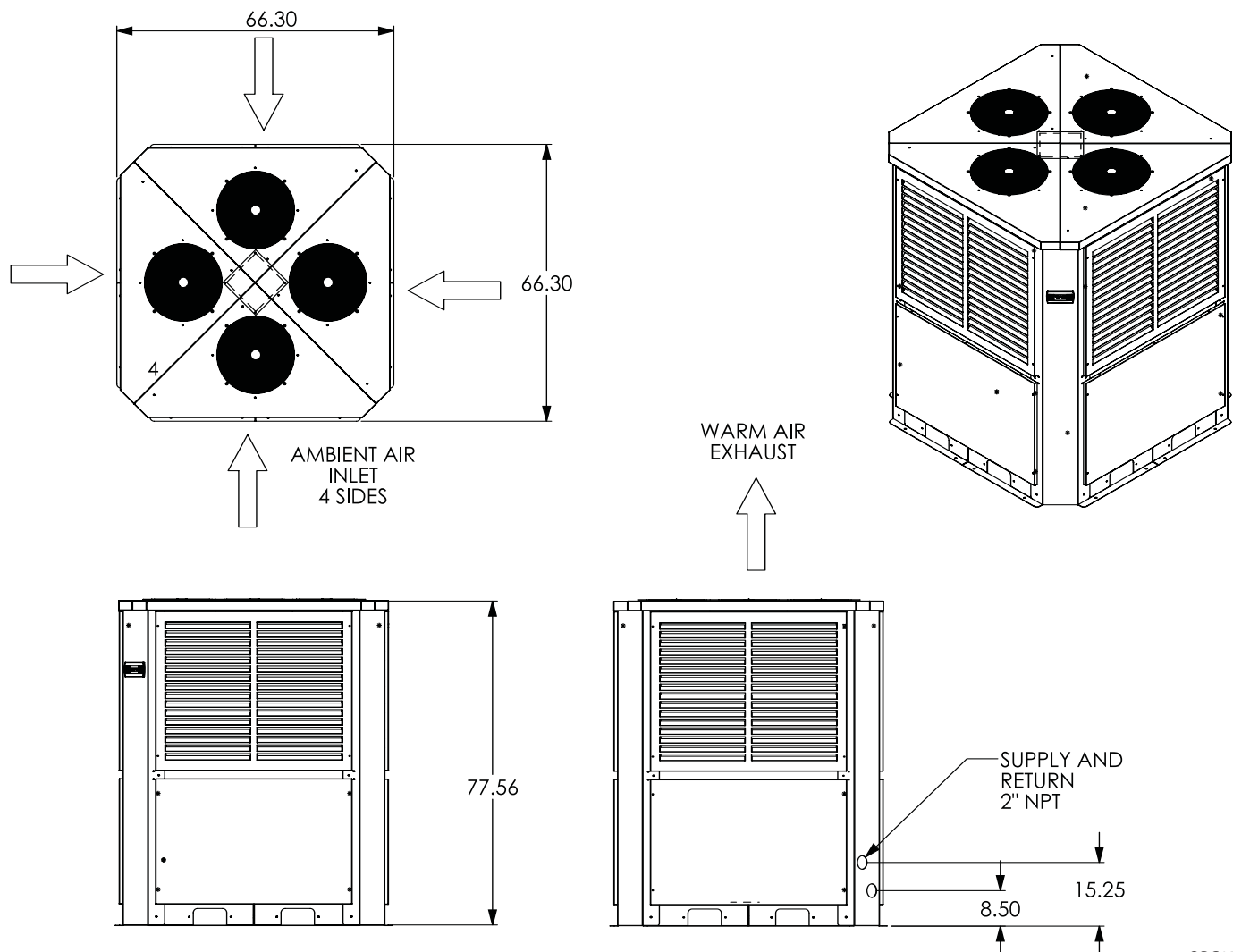


### TECHNICAL DATA

Cooling Capacity*	53 KW (181,000 BTU/HR)
Coolant Flow Rate	35 GPM (132.5 LPM)
Pump Motor HP	5
Reservoir Volume	50 Gallons (189 Liters)
Power Requirements	460V-3Ø-60Hz 44.1 FLA
Operating Conditions (outdoor ambient)	-20°F (-29°C) to 120°F (49°C), -40°F (-40°C) available upon request
Dimensions (W x D x H)	67 x 67 x 75 in. 170 x 170 x 191 cm.
Shipping Weight	3200 Lbs. (1455 Kg)

\*Cooling capacity based on 40% propylene glycol solution and 95°F ambient air temperature.

### DIMENSIONAL DATA



OPC15-0111