

# Outdoor Process Chiller



## Model OPC8

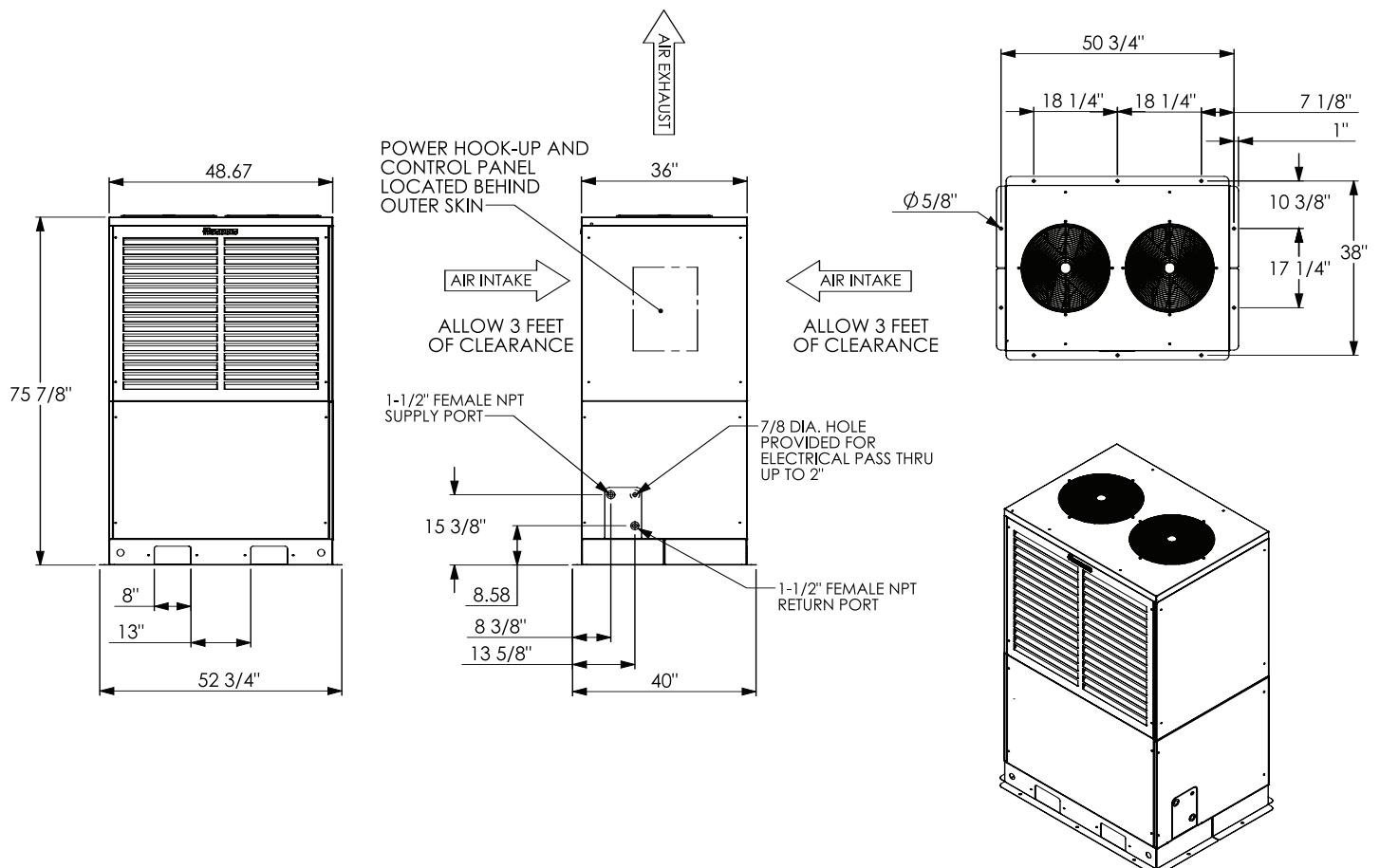


### TECHNICAL DATA

Cooling Capacity*	74,355 BTU/HR (21.8 KW) @ 50°F LGT
Coolant Flow Rate	16 GPM (60.6 LPM)
Pump Motor HP	3
Reservoir Volume	25 Gallons (53 Liters)
Power Requirements	460V-3Ø-60Hz 28.5 FLA
Operating Conditions (outdoor ambient)	-20°F (-29°C) to 120°F (49°C), -40°F (-40°C) available upon request
Dimensions (W x D x H)	49 x 36 x 75 in. 125 x 231 x 191 cm.
Shipping Weight	1700 Lbs. (771 Kg)

\*Cooling capacity based on 40% propylene glycol solution and 95°F ambient air temperature.

### DIMENSIONAL DATA



OPC8-0111